

NOTES:

1.MATERIAL:

HOUSING: Halogen Free PLASTIC, HIGH TEMP. UL94V-0
 TERMINAL:BRASS(t=0.60)

2.PLATING:

UNDERPLATING: 50u" MIN. NICKEL OVERALL.
 1: GOLD FLASH PLATING ON CONTACT AREA

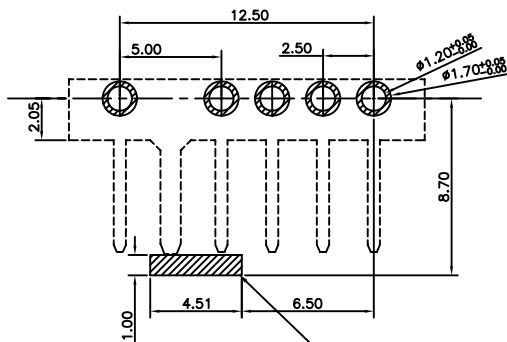
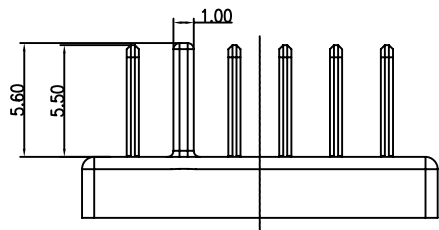
3.SPECIFICATION PLS. SEE PS-SPEC-50976-XXXXX-XXX

4.PACKING REFER TO 54977-XXXXX-XX-TRP

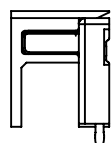
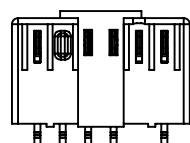
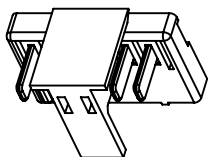
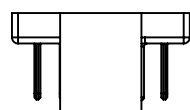
P/N LEGEND

54977-005 X X-XXX

NO OF CKT	XXX	HOUSING COLOR
PACKING	001	BLACK
7:TAPE & REEL (WITH COVER)		
	PLATING	
	1: GOLD FLASH	



RECOMMENDED P.C.B. LAYOUT
 TOLERANCE ±0.05 mm



WITH COVER DRAWING SCALE 2:1

一般公差 TOLERANCES X ±0.5 XX ±0.15 Y ±0.25 XXX ±0.1 ANGLES ±2°	宏致電子股份有限公司 Aces Electronics Co.,Ltd.	
檢驗尺寸標示 SYMBOLS ⊕ ⊗ INDICATE CLASSIFICATION DIMENSION ⊕ MARK IS CRITICAL DIM. ⊗ MARK IS MAJOR DIM.	品名 (TITLE) 2.5mm pitch Battery Conn.Male T/H R/A H=10.70mm 圖號 (DWG NO.) 54977-005XX-XXX	製圖 (DR) ZHOUQUAN 16/10/24 審核 (CHKD) BRAVE 核准 (APPD) FRANK
表面處理 (FINISH)	比例 (SCALE) 4:1	單位 (UNITS) mm
		張數 (SHEET) 1 OF 1 尺寸 (SIZE) A4 版數 (REV) 0